

Train Control ETCS system ETCS 1

ETCS System Compatibility Test Description

Document Management

	Name	Signature Date	Signature
Written	Thomas Destrée		
Checked	Francisco Lozano		
Approved	Yves Werner		

This document is the property of Infrabel and contains confidential information. This document may not be reproduced to third parties within or outside Infrabel in any way whatsoever without the written permission of the service Signalling Projects.

History

Author	Version	Date	§ Adapted	Reason
T. Destrée	1.1 draft 1	16/09/2020	/	Creation of the document
T. Destrée	1.1 draft 2	9/12/2020		Review comments.
T. Destrée	1.1	11/12/2021		Major version
T. Destrée	1.2 draft 1	1/02/2021	§3	Correct name of the test case L1FS_3
			§4.9	Update to clarify test case ESC_L1FS_8.
		2/07/2021	Test cases ESC_TR_12, ESC_TR_15	Test cases adapted for trains without TBL1+ STM.
T. Destrée	1.2 draft 2	10/6/2021	Test cases ESC_TR_5, ESC_TR_7.1, ESC_TR_7.2	Transitions with TVM
T. Destrée	1.2	8/09/2021		Integration of review comments and major version.

Abrogated documents

Name	Version	Date

Distribution of the document

<input type="checkbox"/>	Server	<server id> <path>	
<input type="checkbox"/>	Intranet	<path>	
<input type="checkbox"/>	SharePoint	<name>	
<input type="checkbox"/>	Circular letter	<nr>	
<input type="checkbox"/>	Message	<nr>	
<input type="checkbox"/>	Note	<nr>	
<input type="checkbox"/>	E-mail	<name>	@infrabel.be
		<name>	@<...>
<input type="checkbox"/>	Paper	<name>	<address>

Announce of the publication of the document on intranet

<input type="checkbox"/>	E-mail	<name>@infrabel.be
--------------------------	--------	--------------------

Table of Contents

1. INTRODUCTION	5
1.1 PURPOSE OF THE DOCUMENT	5
1.2 BASIC DOCUMENTS	5
1.3 REFERENCE DOCUMENTS	5
1.4 ANNEXES	5
1.5 SCOPE	5
1.6 DEFINITIONS, SYMBOLS AND ABBREVIATIONS	5
1.7 KNOWN IMPERFECTIONS	6
2. ON-BOARD EQUIPMENT	6
3. FUNCTIONALITIES	7
4. TEST SCENARIOS	8
4.1 TEST ESC_L1FS_1: TRAIN CATEGORIES	8
4.1.1 Description	8
4.1.2 Scenario diagram	10
4.2 TEST ESC_L1FS_2: IREPOS	11
4.2.1 Description	11
4.2.2 Scenario diagram	13
4.3 TEST ESC_L1FS_2_PART 2: IREPOS	14
4.3.1 Description	14
4.3.2 Scenario diagram	15
4.4 TEST ESC_L1FS_3: REPOS ON TWO CONSECUTIVE SECTIONS	16
4.4.1 Description	16
4.4.2 Scenario diagram	17
4.5 TEST ESC_L1FS_4: CROSSING CLOSED NON-PERMISSIVE SIGNAL WITHOUT OVERRIDE	18
4.5.1 Description	18
4.5.2 Scenario diagram	19
4.6 TEST ESC_L1FS_5: CROSSING CLOSED NON-PERMISSIVE SIGNAL WITH OVERRIDE	20
4.6.1 Description	20
4.6.2 Scenario diagram	20
4.7 TEST ESC_L1FS_6: CROSSING A CLOSED PERMISSIVE SIGNAL	22
4.7.1 Description	22
4.7.2 Scenario diagram	23
4.8 TEST ESC_L1FS_7 : CR819	24
4.8.1 Description	24
4.8.2 Scenario diagram	24
4.9 TEST ESC_L1FS_8: CR1120	25
4.9.1 Description	25
4.9.2 Scenario diagram	26
4.10 TEST ESC_TR_5 : TRANSITION LEVEL 1 FS TO TVM430	27
4.10.1 Description	27
4.10.2 Scenario diagram	28
4.11 TEST ESC_TR_7.1: TRANSITION TVM430 TO LEVEL 1 FS	29
4.11.1 Description	29
4.11.2 Scenario diagram	30
4.12 TEST ESC_TR_7.2: TRANSITION TVM430 TO LEVEL 1 FS	31
4.12.1 Description	31
4.12.2 Scenario diagram	32
4.13 TEST ESC_TR_12: TRANSITION ETCS1 FS TO STM TBL1+	33
4.13.1 Description	33

4.13.2	Scenario diagram	35
4.14	TEST ESC_TR_15: TRANSITION STM TBL1+ TO ETCS1 FS.....	36
4.14.1	Description	36
4.14.2	Scenario diagram	37

1. Introduction

1.1 Purpose of the document

The purpose of this document is to define the test scenarios to perform in order to prove the ETCS System Compatibility (ESC) between the trackside ETCS Level 1 with system version 1.Y and the On-board.

The tests scenarios describes more in detail each “high level” scenarios defined in the ESC test plan [1].

The success of these test scenarios shall prove the technical compatibility between ETCS On-board and the Trackside part ETCS of the CCS subsystems within the ETCS1 with system version 1.Y area on Infrabel conventional network.

The technical specification for interoperability used inside an ETCS1 with system version 1.Y area on Infrabel network is the set of specifications 1, B2(Cfr [2] and [3]).

These test scenarios for ETCS system compatibility do not cover all design rules used in an ETCS1 area. If required, Infrabel can provide additional operational test scenarios performed during the verification that the trackside subsystem complies with the requirement of the TSI.

In case of doubt concerning the ESC of the board with the trackside, the railway undertaking shall take the required action with his supplier and inform Infrabel.

1.2 Basic documents

Ref.	Title	Owner
[1]	PSI (TC,ETCSsys,z) ESC TST PLN 1.2	Infrabel

1.3 Reference documents

Ref.	Title	Owner
[2]	Commission Decision (EU) 2012/88/EU of 25 January 2012	UE
[3]	Commission Decision (EU) 2012/696/EU of 6 November 2012	UE
[4]	PSI(TP,ETCSsys.L1LS.z) ESC TST DSC	Infrabel
[5]	PSI(TC,ETCSsys.L2,z) ESC TST DSC	Infrabel

1.4 Annexes

Ref.	Title	Owner
[6]	None	

1.5 Scope

This document is applicable for all trains would run under the protection of ETCS level 1 in an ETCS1 with system version 1.Y area on the Infrabel conventional network.

1.6 Definitions, symbols and abbreviations

CCS	Control Command System
DMI	Driver Machine Interface
ESC	ETCS System Compatibility
ETCS	European Train Control System
IBG	Infill Balise Group
LS	Limited Supervision
NR	Not Relevant
SBG	Signal Balise Group
TSI	Technical Specification for Interoperability

1.7 *Known imperfections*

No test cases are defined for transitions from and to TVM430 in this version of the document.

2. On-board Equipment

Out of scope of railway manager Infrabel.

3. Functionalities

The tested functionalities are described in the table here under:

Test scenario (ref ESC TST PLN [1])	Tested functionality
ESC_L1FS_1	Train categories
ESC_L1FS_2	IREPOS
ESC_L1FS_3	REPOS on two consecutive sections
ESC_L1FS_4	Crossing closed non-permissive signal without override
ESC_L1FS_5	Crossing closed non-permissive signal with override
ESC_L1FS_6	Crossing a closed permissive signal
ESC_L1FS_7	CR819
ESC_L1FS_8	CR1120
ESC_TR_1	<i>ETCS 1 FS >> ETCS 1 LS (out of scope of this document)</i>
ESC_TR_3	<i>ETCS 1 LS >> ETCS 1 FS (out of scope of this document)</i>
ESC_TR_5	ETCS 1FS >> TVM430
ESC_TR_7	TVM430 >> ETCS 1FS
ESC_TR_9	<i>ETCS1 FS >> ETCS 2 FS (out of scope of this document)</i>
ESC_TR_10	<i>ETCS 2 FS >> ETCS 1 FS (out of scope of this document)</i>
ESC_TR_12	ETCS 1 FS >> STM TBL1+
ESC_TR_15	STM TBL1+ >> ETCS 1 FS

The document will only describe the sequences to perform the scenarios but not all the actions to prepare the execution of the test scenarios.

Transitions to and from ETCS1 Limited supervision (ESC_TR_1 and ESC_TR_3) are covered in the ESC test DSC for ETCS1 LS program (cf. [4]).

Transitions to and from ETCS Level 2 (ESC_TR_9 and ESC_TR_10) are covered in the ESC test DSC for ETCS2 program (cf. [5]).

4. Test scenarios

4.1 Test ESC_L1FS_1: Train categories

4.1.1 Description

ID	Date	Location / Line		
ESC_L2FS_1 part1	<dd/mm/yyyy>	<Line>		
Description	Functionalities tested : <ul style="list-style-type: none"> • Tests ESC_L1FS_1 : train categories This test does not need to be repeated with all possible categories. The train categories should not be the one associated with the lowest speed profile.			
Signal passed				
Name		Trackside datafile in service		
Panel P1 at bk <bk of the speed panel> is at the beginning of a train category speed restricted area.				
Signal S1: <signal name> is closed: Signal S1 is upwards panel P1.				
Test Scenarios				
Starting condition	Track 1: track <Track number>			
	Train A <ul style="list-style-type: none"> • Train A is in Level 1 mode FS • Train A is in rear of signal S1 • Train category <Freight G / Freight P / Passenger> is selected on-board. 			
	Be sure all authorisations are filled in before performing the test scenarios			
Sequences of the test scenario				
Step	Step description	Description of what to be tested	Statement	Comment
1	Signaller opens signal S1.	Train A receives an MA with a packet 27 including train category speed restriction.	Pass / Fail	
2	Driver starts and passes the signal S1 and panel P1.	The speed is limited at <train category max speed> km/h at panel P1.	Pass / Fail	

Test scenario finished				

4.1.2 Scenario diagram

None	
Final State	Train in level1 FS beyond panel P1

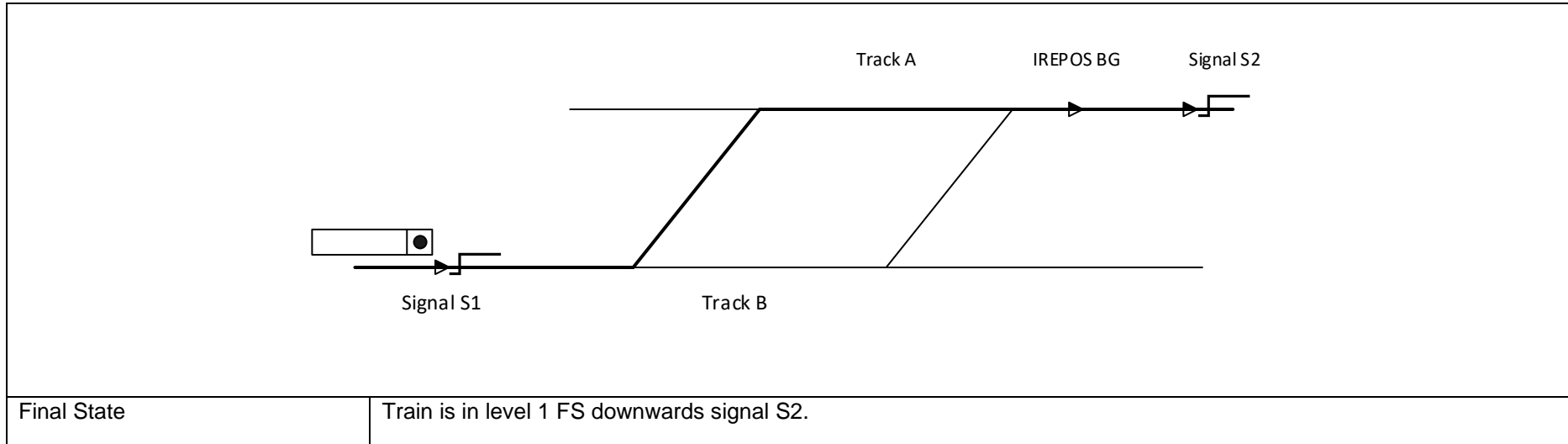
4.2 Test ESC_L1FS_2: IREPOS

4.2.1 Description

ID	Date	Location / Line		
ESC_L1FS_2	<dd/mm/yyyy>	<Line>		
Description	Functionalities tested : <ul style="list-style-type: none"> • Test ESC_L1FS_2: IREPOS The section between signals S1 and S2 is a regrouped section. The itinerary passing by track <track number> (track A) is the longest itinerary of the regrouped itineraries. The IREPOS BG (<NID_C NID_BG>) sends IREPOS information <distance signal/BG>m upwards signal S1.			
Signal passed				
Name	Trackside datafile in service			
Signal S1: <signal name> is open				
Signal S2: <signal name> is closed				
Test Scenarios				
Starting condition	Train is upwards signal S1 in ETCS 1 FS.			
	The route is set between S1 and S2 passing by track A.			
Be sure all authorisations are filled in before performing the test scenarios				
Sequences of the test scenario				
Step	Step description	Description of what to be tested	Statement	Comment
1	Train passes signal S1 and track A. Train receives IREPOS information when passing IREPOS BG.	Passing S1, the MA has the length of the shortest itinerary to the signal S2, and the IREPOS BG is linked with identifier "UNKNOWN". Passing the IREPOS BG, the length of the current section is extended by <Difference of distance between regrouped routes>m.	Pass / Fail	
2	Signaller opens signal S2 then train passes signal S2.	The MA is extended downwards signal S2	Pass / Fail	

Test scenario finished				

4.2.2 Scenario diagram



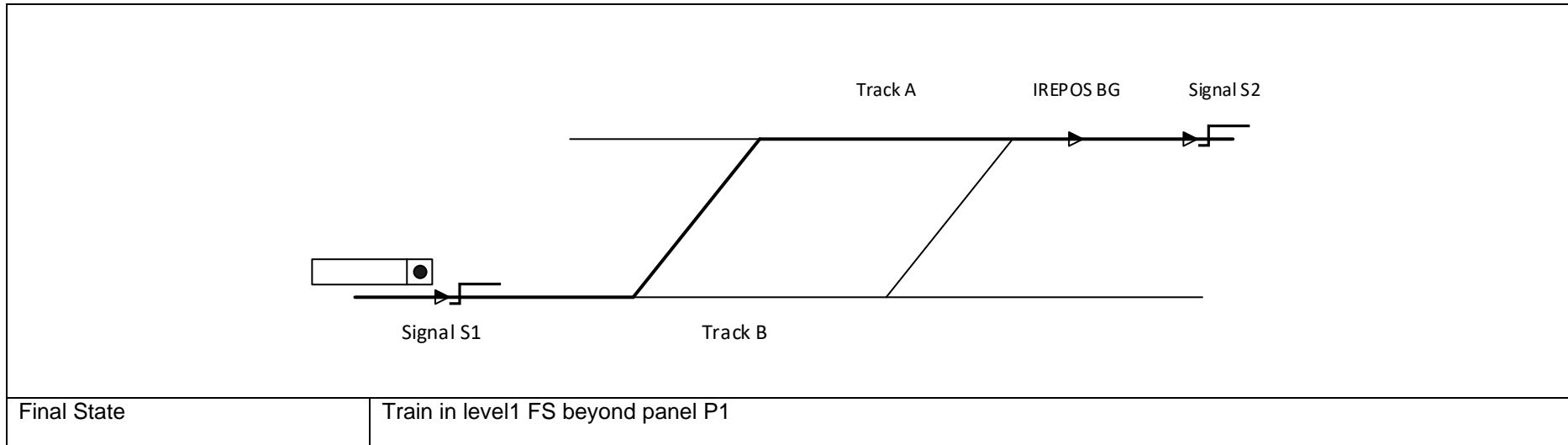
4.3 Test ESC_L1FS_2_part 2: IREPOS

4.3.1 Description

ID	Date	Location / Line		
ESC_L1FS_2_part2	<dd/mm/yyyy>	<Line>		
Description	Functionalities tested : <ul style="list-style-type: none"> • Test ESC_L1FS_2: IREPOS The section between signals S1 and S2 is a regrouped section. The itinerary passing by track <track number> (track A) is the longest itinerary of the regrouped itineraries. The IREPOS BG (<NID_C NID_BG>) sends IREPOS information <distance signal/BG>m upwards signal S1.			
Signal passed				
Name	Trackside datafile in service			
Signal S1: <signal name> is open				
Signal S2: <signal name> is closed				
Test Scenarios				
Starting condition	Train is upwards signal S1 in ETCS 1 FS.			
	The route is set between S1 and S2 passing by track A.			
Be sure all authorisations are filled in before performing the test scenarios				
Sequences of the test scenario				
Step	Step description	Description of what to be tested	Statement	Comment
1	Train passes signal S1 while the signal S2 is closed.	The MA has the length of the shortest itinerary to the signal S2, and the IREPOS BG is linked with identifier "UNKNOWN".	Pass / Fail	
2	Before the train reaches the IREPOS BG, the signal S2 is open. Train passes the IREPOS BG receiving IREPOS information.	The MA is extended beyond the signal S2 (infill information is accepted) and the length of the current section is extended by <Difference of distance between regrouped routes>m.	Pass / Fail	

Test scenario finished				

4.3.2 Scenario diagram

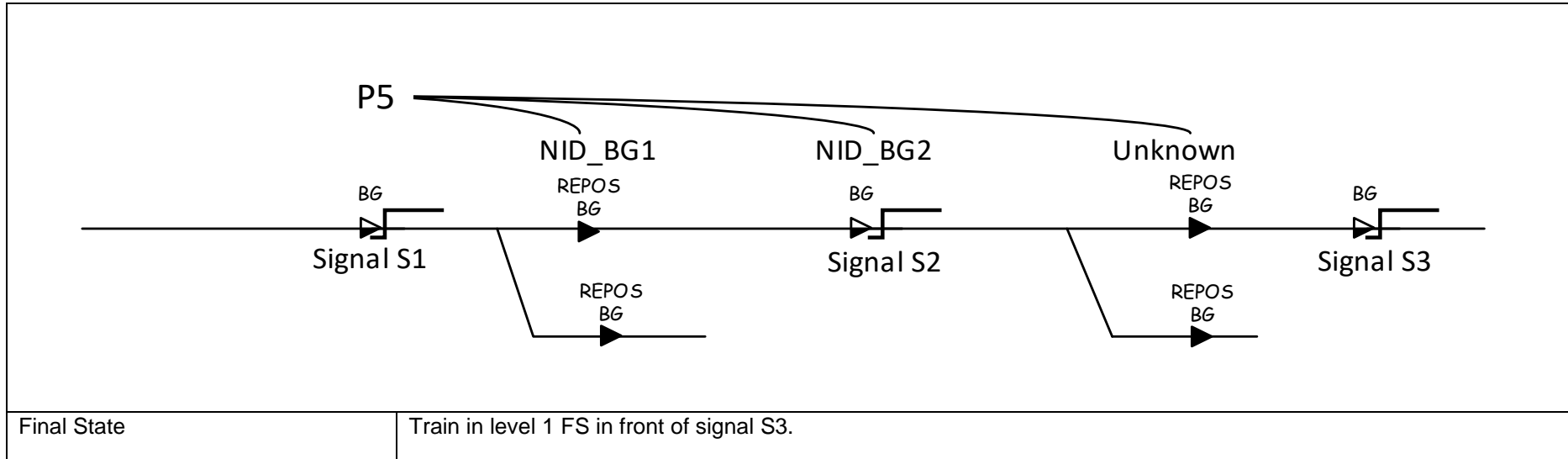


4.4 Test ESC_L1FS_3: REPOS on two consecutive sections

4.4.1 Description

ID	Date	Location / Line		
ESC_L1FS_3	<dd/mm/yyyy>	<Line>		
Description	Functionalities tested : - Test ESC_L1FS_3: REPOS on two consecutive sections At a portion of track where the routes are unified in 2 consecutive sections, BG sending the P16 are chained with the known NID_BG on the first section and with the unknown NID_BG on the second section.			
Signal passed				
Name		Trackside datafile in service		
S1 : <Signal name> is open				
S2 : <Signal name> is open				
S3 : <Signal name> is closed				
Test Scenarios				
Starting condition		Train in level 1 FS upwards signal S1.		
Be sure all authorisations are filled in before performing the test scenarios				
Sequences of the test scenario				
Step	Step description	Description of what to be tested	Statement	Comment
1	Train passes signal S1 and goes to signal 3	No linking error when passing the two repositioning BG's.	Pass / Fail	
2			Pass / Fail	
Test scenario finished				

4.4.2 Scenario diagram

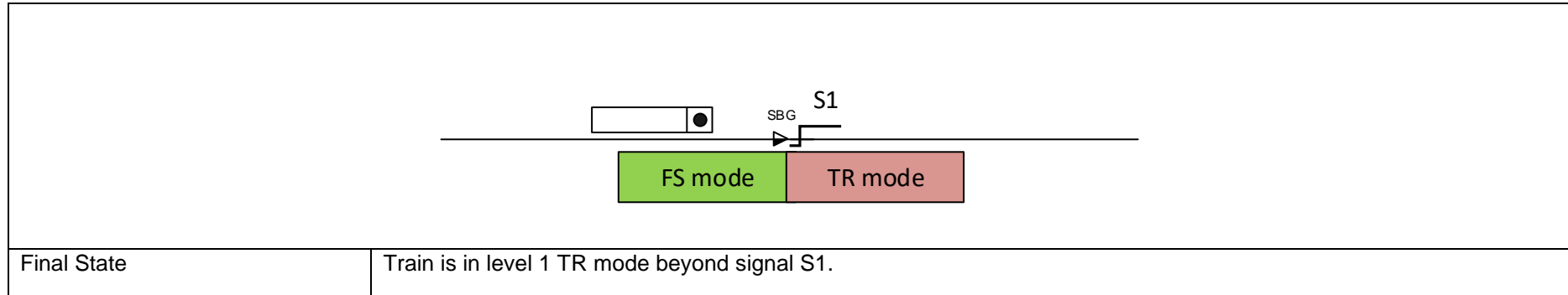


4.5 Test ESC_L1FS_4: Crossing closed non-permissive signal without override

4.5.1 Description

ID	Date	Location / Line		
ESC_L1FS_4	<dd/mm/yyyy>	<Line>		
Description	Functionalities tested : <ul style="list-style-type: none"> • Test ESC_L1FS_4: Crossing closed non-permissive signal without override 			
Signal passed				
Name		Trackside datafile in service		
S1 : <Signal name> is a closed-controlled main stop signal.				
Test Scenarios				
Starting condition	Train is : <ul style="list-style-type: none"> • in level 1 FS mode • at standstill upwards signal S1. 			
	Be sure all authorisations are filled in before performing the test scenarios.			
Sequences of the test scenario				
Step	Step description	Description of what to be tested	Statement	Comment
1	Train passes signal S1 without activation of the override. The train should be at low speed when passing the signal.	Train is tripped and emergency brakes are applied.	Pass / Fail	
2			Pass / Fail	
Test scenario finished				

4.5.2 Scenario diagram

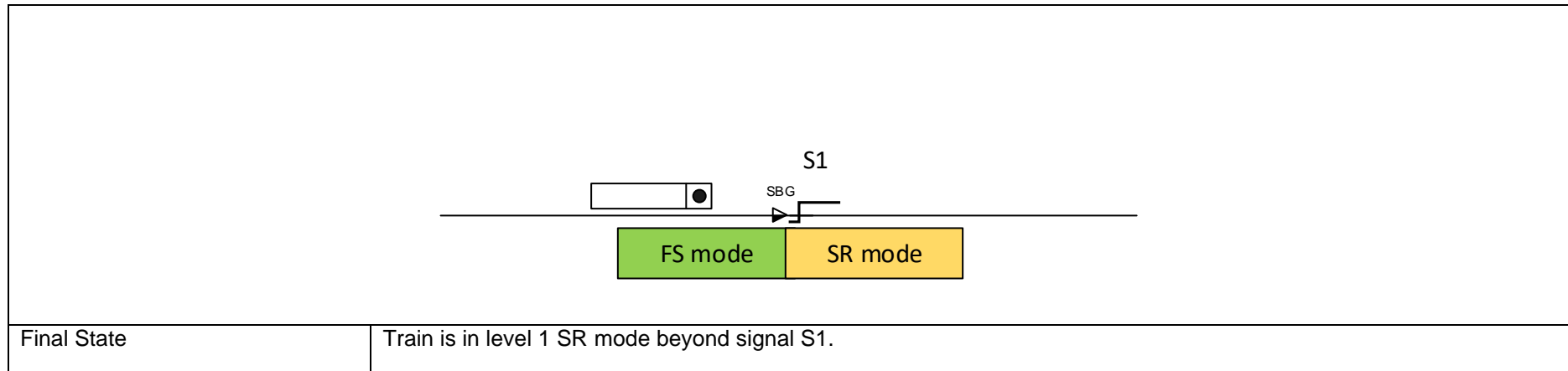


4.6 Test ESC_L1FS_5: Crossing closed non-permissive signal with override

4.6.1 Description

ID	Date	Location / Line		
ESC_L1FS_5	<dd/mm/yyyy>	<Line>		
Description	Functionalities tested : <ul style="list-style-type: none"> • Test ESC_L1FS_4: Crossing closed non-permissive signal with override 			
Signal passed				
Name		Trackside datafile in service		
S1 : <Signal name> is a closed-controlled main stop signal.				
Test Scenarios				
Starting condition	Train is : <ul style="list-style-type: none"> • in level 1 FS mode • at standstill upwards signal S1. 			
	Be sure all authorisations are filled in before performing the test scenarios.			
Sequences of the test scenario				
Step	Step description	Description of what to be tested	Statement	Comment
1	Train passes signal S1 at low speed after activation of the override.	Train changes to SR mode.	Pass / Fail	
Test scenario finished				

4.6.2 Scenario diagram

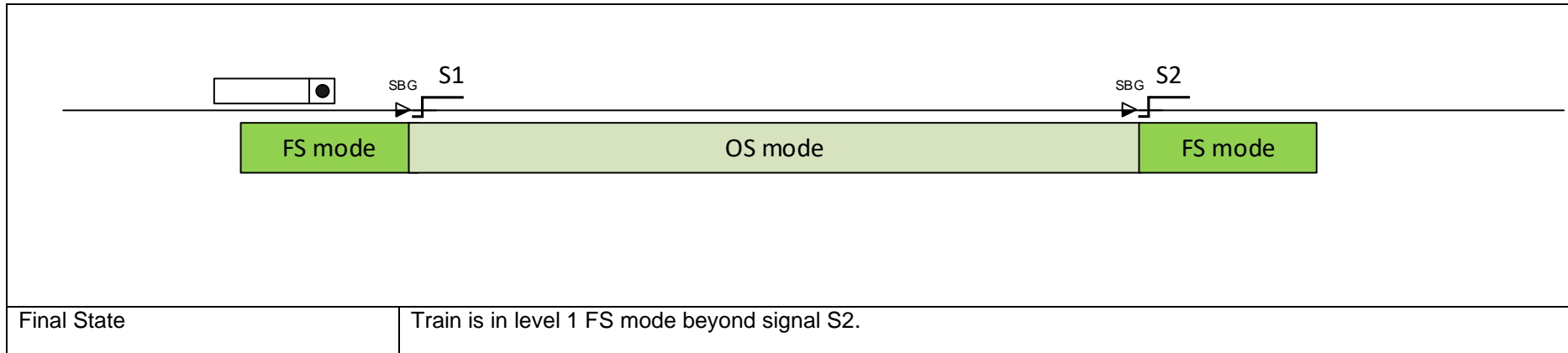


4.7 Test ESC_L1FS_6: Crossing a closed permissive signal

4.7.1 Description

ID	Date	Location / Line		
ESC_L1FS_6	<dd/mm/yyyy>	<Line>		
Description	Functionalities tested : <ul style="list-style-type: none"> • Test ESC_L1FS_6: Crossing a closed permissive signal 			
Signal passed				
Name		Trackside datafile in service		
S1 : <Signal name> is a closed-non controlled main stop signal.				
S2 : <Signal name> is an open main stop signal. Equipped with an IBG				
Test Scenarios				
Starting condition	Train is : <ul style="list-style-type: none"> • in level 1 FS mode • at standstill upwards signal S1. 			
Be sure all authorisations are filled in before performing the test scenarios.				
Sequences of the test scenario				
Step	Step description	Description of what to be tested	Statement	Comment
1	Train passes signal S1 at low speed without activation of the override.	Train changes to OS mode.	Pass / Fail	
2	The train passes IBG of S2.	Train rejects the infill information.	Pass / Fail	
3	Train continues and passes S2.	Train changes to FS mode, extending the MA length.	Pass / Fail	
Test scenario finished				

4.7.2 Scenario diagram



4.8 Test ESC_L1FS_7 : CR819

4.8.1 Description

ID	Date	Location / Line		
ESC_L1FS_7	<dd/mm/yyyy>	<Line>		
Description	Functionalities tested : - ESC_L1FS_7 : CR819 If the balises are duplicated within a balise group and a balise is not read or not decoded correctly but the duplicated balise is, then the message shall not be rejected and no linking reaction shall be applied.			
Signal passed				
Name		Trackside datafile in service		
Test Scenarios				
Starting condition	Train is in level 1 mode FS upwards a fixed balise group sending a text message.			
	A cover is installed on the first balise of the fixed BG (N_PIG = 0).			
	Be sure all authorisations are filled in before performing the test scenarios			
Sequences of the test scenario				
Step	Step description	Description of what to be tested	Statement	Comment
1	Train passes the fixed BG	No linking reaction occurs and the text message <text send by the BG> is displayed on the DMI.	Pass / Fail	
Test scenario finished				

4.8.2 Scenario diagram

none	
Final State	Train in level 1 FS beyond fixed BG

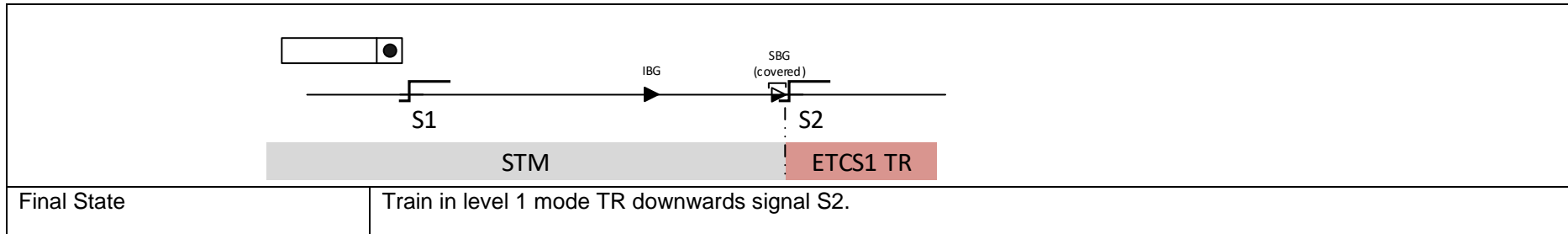
4.9 Test ESC_L1FS_8: CR1120

4.9.1 Description

ID	Date	Location / Line		
ESC_L1FS_8	<dd/mm/yyyy>	<Line>		
Description	<p>Functionalities tested :</p> <ul style="list-style-type: none"> - ESC_L1FS_8: CR1120 <p>In a transition from level STM to ETCS 1 FS, the train receives a transition announcement applicable to the next signal. This signal is equipped with an IBG. The train crosses the IBG. Expected result: packets 5, 12, 21, 27 received at the IBG are not accepted without accepting packet 136.</p> <p>Remark: If it is possible to determine when the train rejects a packet, the test case can ends after step 2. This way, it is not required to cover the SBG of signal S2.</p>			
Signal passed				
Name		Trackside datafile in service		
S1 : <Signal name of a transition signal> is open presenting Y aspect.				
S2 : <Signal name of a transition signal> is closed.				
Test Scenarios				
Starting condition	Train is in level STM upwards signal S1.			
	Train is upwards signal S1			
	Both balises of the SBG of signal S2 are covered.			
	Be sure all authorisations are filled in before performing the test scenarios			
Sequences of the test scenario				
Step	Step description	Description of what to be tested	Statement	Comment
1	Train passes signal S1.	Train receives an MA with an announcement of transition to level 1.	Pass / Fail	
2	Signaller opens signal S2 before train passes the IBG of signal S2	Train receives infill information and reject packet 136 and packets 5, 12, 21 and 27.	Pass / Fail	
3	Train passes signal S2.	Train changes to level 1 TR mode.	Pass / Fail	

		Remark: If the train changes to level 1 FS, it means the P12 sent with P136 is not rejected with it, showing the CR1120 is not implemented.		
Test scenario finished				

4.9.2 Scenario diagram

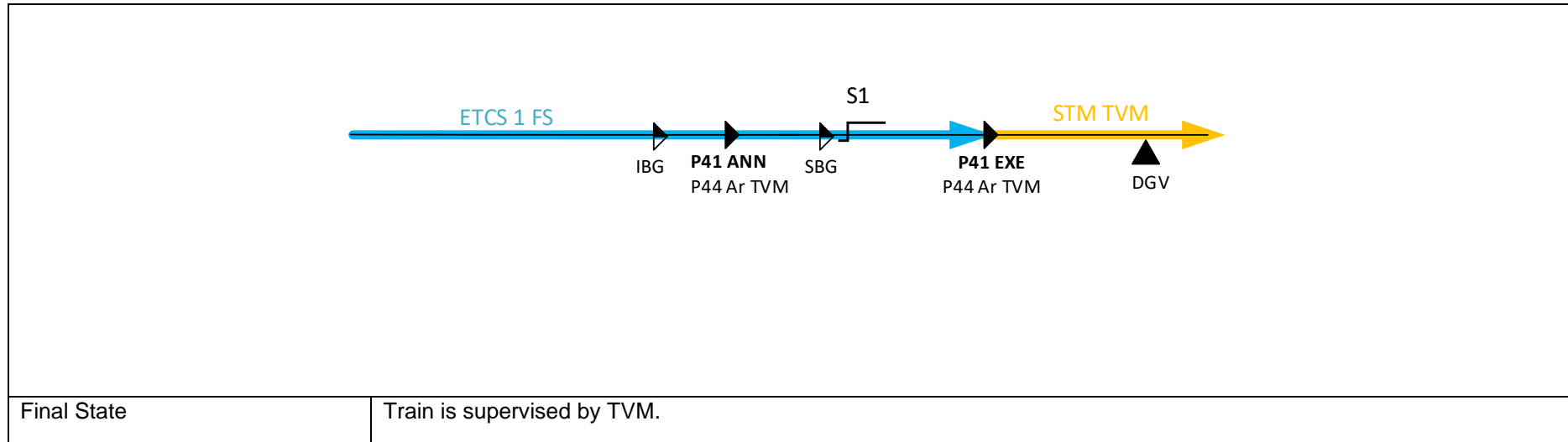


4.10 Test ESC_TR_5 : Transition Level 1 FS to TVM430

4.10.1 Description

ID	Date	Location / Line		
ESC_TR_5	<dd/mm/yyyy>	<Line>		
Description	Functionalities tested : - ESC_TR_5: Transition Level 1 FS to TVM430.			
Signal passed				
Name	Trackside datafile in service			
S1 : <Signal name of the last signal> is open presenting Y aspect.				
Test Scenarios				
Starting condition	Train in level 1 FS			
	All signals or marker board are at Open Proceed to permit the train to ride at full speed.			
	Be sure all authorisations are filled in before performing the test scenarios			
Sequences of the test scenario				
Step	Step description	Description of what to be tested	Statement	Comment
1	Train passes the announcement BG of the transition.	Transition is announced on the DMI. If possible, confirm that the TVM onboard equipment switches to Hot Standby. The request for the acknowledgment of the transition is displayed.	Pass / Fail	
2	Driver acknowledges the transition. Train passes the execution BG of the transition.	Train switches to Level STM and the TVM equipment is armed after a few seconds.	Pass / Fail	
3	Train passes the KVB balise with DVG function.	The TVM onboard is activated ("contrôle d'armement" is activated), no expected reaction.	Pass / Fail	
Test scenario finished				

4.10.2 Scenario diagram

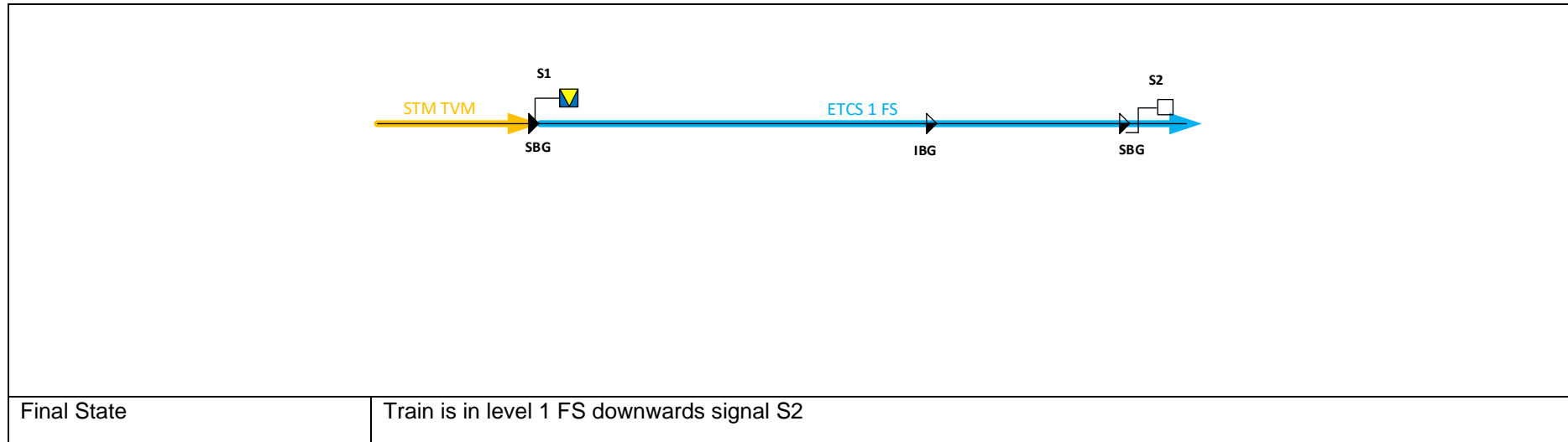


4.11 Test ESC_TR_7.1: Transition TVM430 to Level 1 FS

4.11.1 Description

ID	Date	Location / Line		
ESC_TR_7.1	<dd/mm/yyyy>	<Line>		
Description	Functionalities tested : - ESC_TR_7: Transition TVM to ETCS1 FS			
Signal passed				
Name	Trackside datafile in service			
S1 : <Signal name of the last marker board> is open.				
S2 : <Signal name of the first signal> is open.				
Test Scenarios				
Starting condition	Train in level STM under TVM supervision			
	All signals or marker board are at Open Proceed to permit the train to ride at full speed.			
	Be sure all authorisations are filled in before performing the test scenarios			
Sequences of the test scenario				
Step	Step description	Description of what to be tested	Statement	Comment
1	Train passes S1 marker board and receives a MA and an immediate level transition.	Transition is announced on the DMI. The request for the acknowledgment of the transition is displayed.	Pass / Fail	
2	Driver acknowledges the transition.	Train switches to level 1 FS.	Pass / Fail	
3	Train passes signal S2	Train continues in level 1 FS.	Pass / Fail	
Test scenario finished				

4.11.2 Scenario diagram

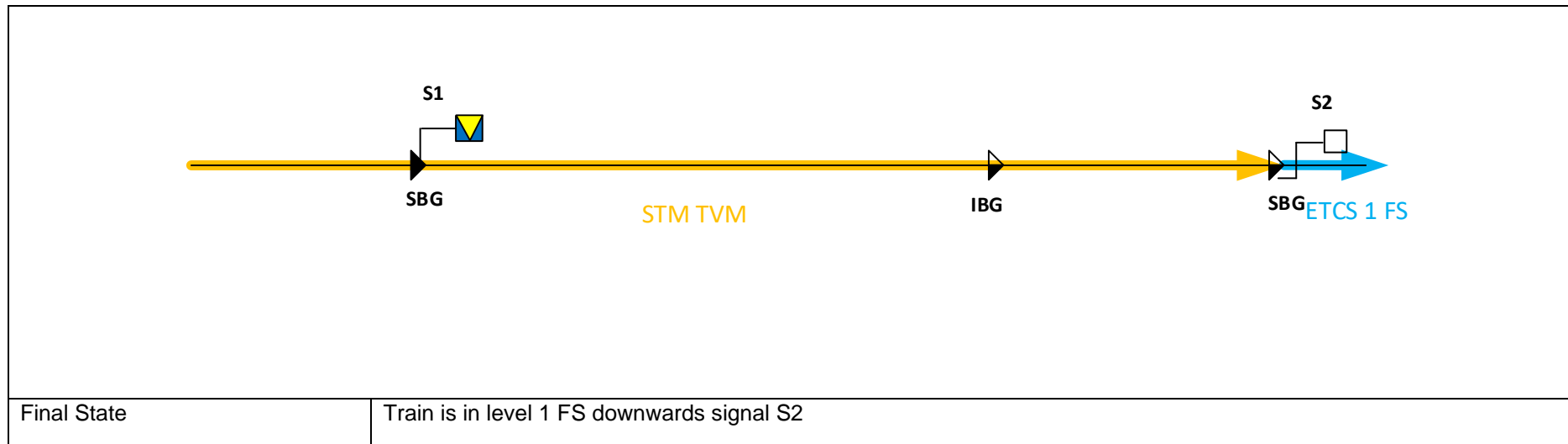


4.12 Test ESC_TR_7.2: Transition TVM430 to Level 1 FS

4.12.1 Description

ID	Date	Location / Line		
ESC_TR_7.2	<dd/mm/yyyy>	<Line>		
Description	Functionalities tested : - ESC_TR_7: Transition TVM to ETCS1 FS on S2			
Signal passed				
Name		Trackside datafile in service		
S1 : <Signal name of the last marker board> is closed (with override lamp on).				
S2 : <Signal name of the first signal> is open.				
Test Scenarios				
Starting condition	Train in level STM under TVM supervision			
	The marker board S1 is closed, signal S2 is open.			
	Be sure all authorisations are filled in before performing the test scenarios			
Sequences of the test scenario				
Step	Step description	Description of what to be tested	Statement	Comment
1	Train passes S1 marker board with override and receives no ETCS transition	Train continues in STM TVM	Pass / Fail	
2	Train passes KVB_FGV balise	“Contrôle armement” is deactivated.	Pass / Fail	
3	Train passes TVM_ESNCB loop	TVM cab signalling turns off.	Pass / Fail	
4	Train passes signal S2 and receives a MA and an immediate level transition.	Train switches to level 1 FS. The request for the acknowledgment of the transition is displayed.	Pass / Fail	
5	Driver acknowledges the transition.	Train continues in level 1 FS.	Pass / Fail	
Test scenario finished				

4.12.2 Scenario diagram



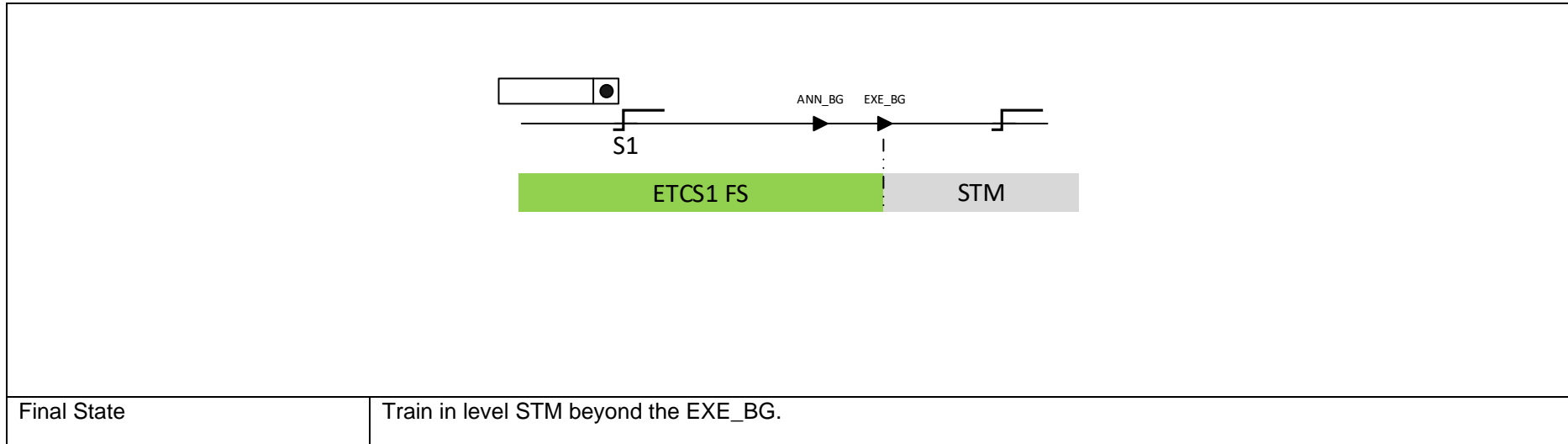
4.13 Test ESC_TR_12: Transition ETCS1 FS to STM TBL1+

4.13.1 Description

ID	Date	Location / Line		
ESC_TR_12	<dd/mm/yyyy>	<Line>		
Description	Functionalities tested : - ESC_TR_12 : Transition ETCS1 FS to STM TBL1+ <i>Remark: if test case is executed in CVT track, a text message "=>S*" is displayed between from reception of the transition up to the first TBL1+ signal. An acknowledgment of the text message is required.</i>			
Signal passed				
Name		Trackside datafile in service		
S1 : <Signal name> is open. It is the last ETCS1 FS signal.				
Test Scenarios				
Starting condition		Train is in level 1 mode FS upwards signal S1.		
		Be sure all authorisations are filled in before performing the test scenarios		
Sequences of the test scenario				
Step	Step description	Description of what to be tested	Statement	Comment
1	Train passes signal S1 and the level transition announcement fixed BG at the reference speed of the line.	Train receives a transition execution to level STM. A level transition announcement is displayed on the DMI. Acknowledgement is possible about 5 seconds after receiving the announcement.	Pass / Fail	
2	Driver acknowledge the transition and train passes the level transition execution BG.	Train switches to level STM. The possible STM are in descending order of priority : TBL1+, TBL2, TBL1, Memor, KVB.	Pass / Fail	

Test scenario finished				

4.13.2 Scenario diagram



4.14 Test ESC_TR_15: Transition STM TBL1+ to ETCS1 FS

4.14.1 Description

ID	Date	Location / Line		
ESC_TR_15	<dd/mm/yyyy>	<Line>		
Description	Functionalities tested : - ESC_TR_15 Transition STM TBL1+ to ETCS1 FS <i>Remark : the transition STM to ETCS1 FS with an announcement of transition at the first signal is tested in test ESC_L1FS_8: CR1120.</i>			
Signal passed				
Name		Trackside datafile in service		
S1 : <Signal name> is open. It is the first ETCS1 signal				
S2 : <Signal name> is open				
Test Scenarios				
Starting condition	Train is in level STM in rear of signal S1.			
	The possible STM are in descending order of priority: TBL1+, TBL2, TBL1, Memor, KVB.			
Be sure all authorisations are filled in before performing the test scenarios				
Sequences of the test scenario				
Step	Step description	Description of what to be tested	Statement	Comment
1	Train passes signal S1	Train switches to level 1 FS mode.	Pass / Fail	
2	Drivers acknowledges transition	Train remains in level 1 FS mode.	Pass / Fail	
Test scenario finished				

4.14.2 Scenario diagram

